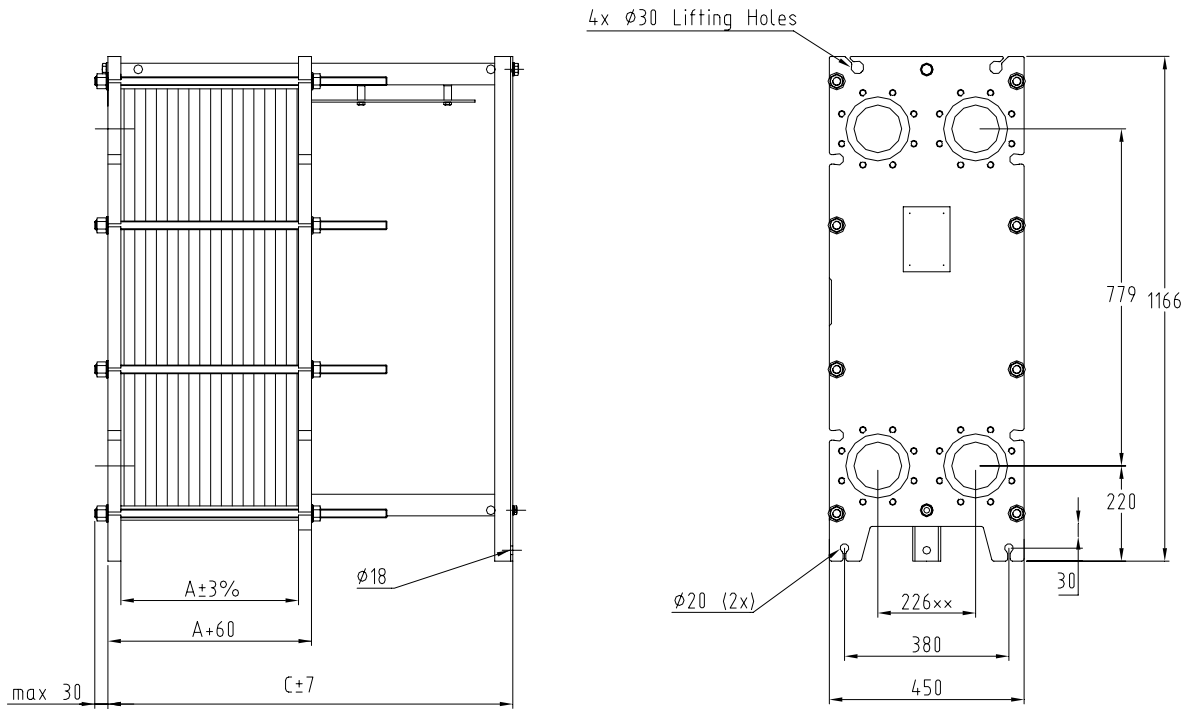


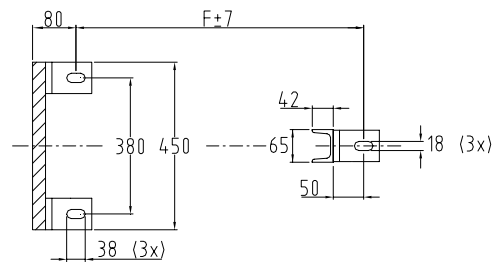


PLATE HEAT EXCHANGER  
GC-26N Non CE  
DIMENSIONS, MM



$\times \times$  For ANSI B 16.5 #150lb C/C=231

For fixing to ground use for example L80x40x8 (not supplied)

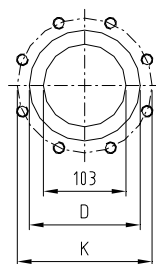


**Only for 3.3 (Non CE) applications**

The Plate Heat Exchanger has 4 connections as standard and should be installed with min. 600 mm space on both sides for service work.

Subject to alterations without prior notice.

Available connections.



Conn. fits	K	D	Threaded	No. of bolts
DIN ×	180	148	M16x25	8
ANSI ×	190.5	148	5/8"UNCx25	8
JIS 10K	175	148	M16x25	8
JIS 5K	165	143	M16x25	8

× EN1092-1 PN 10/16  
ANSI B 16.5 # 150lb



PLATE HEAT EXCHANGER  
**GC-26N Non CE**  
DIMENSIONS, MM

Standard connection dimension	DN100								
Restrictions for 3.3 (Non CE) applications: Max allowed pressure*volume (bar*litre) for different media groups (one side volume). For information: Volume per channel is 1,0 litre (GC)	LIQUID (group 1): 200 (bar*litre) LIQUID (group 2), for water ≤110°C: 10000 (bar*litre) GAS (group 1): 25 (bar*litre) GAS (group 2), for water >110°C: 50 (bar*litre)								
Tightening bolt	M20								
No. of long tightening bolts (T <sub>L</sub> )	4								
No. of short tightening (T <sub>S</sub> )	4								
Cover thickness	30 mm								
Weight of guiding bar	2,2 kg/m								
Weight of tightening bolt	2,0 kg/m								
A-dimension	4,5*n mm								
C-dimension	LG + 36								
F-dimension	LG + 6								
Weight plate+gasket (W)	<table style="display: inline-table; border: none;"> <tr> <td style="padding-right: 10px;">AISI 304/316 0,5 mm</td> <td>1,5 kg</td> </tr> <tr> <td>AISI 304/316 0,6 mm</td> <td>1,8 kg</td> </tr> <tr> <td>Titanium 0,5 mm</td> <td>1,0 kg</td> </tr> <tr> <td>Titanium 0,6 mm</td> <td>1,1 kg</td> </tr> </table>	AISI 304/316 0,5 mm	1,5 kg	AISI 304/316 0,6 mm	1,8 kg	Titanium 0,5 mm	1,0 kg	Titanium 0,6 mm	1,1 kg
AISI 304/316 0,5 mm	1,5 kg								
AISI 304/316 0,6 mm	1,8 kg								
Titanium 0,5 mm	1,0 kg								
Titanium 0,6 mm	1,1 kg								
Weight Frame	291+n*W kg								

Max No of plates	LT <sub>L</sub>	LG	C	F
18	250	400	436	406
24	375	400	436	406
36	375	600	636	606
53	500	600	636	606
91	750	1000	1036	1006
112	1000	1000	1036	1006

LT<sub>L</sub> = Length of long tightening bolt, based on 6,8 x n + 128  
 LG = Length of guiding bar, based on 6,8 x n + 235  
 n = number of plates

Total max no. of plates	
AISI 304/316 0,5 mm	112

All data is based on plates with material AISI 304/316 and thickness 0,5 mm.