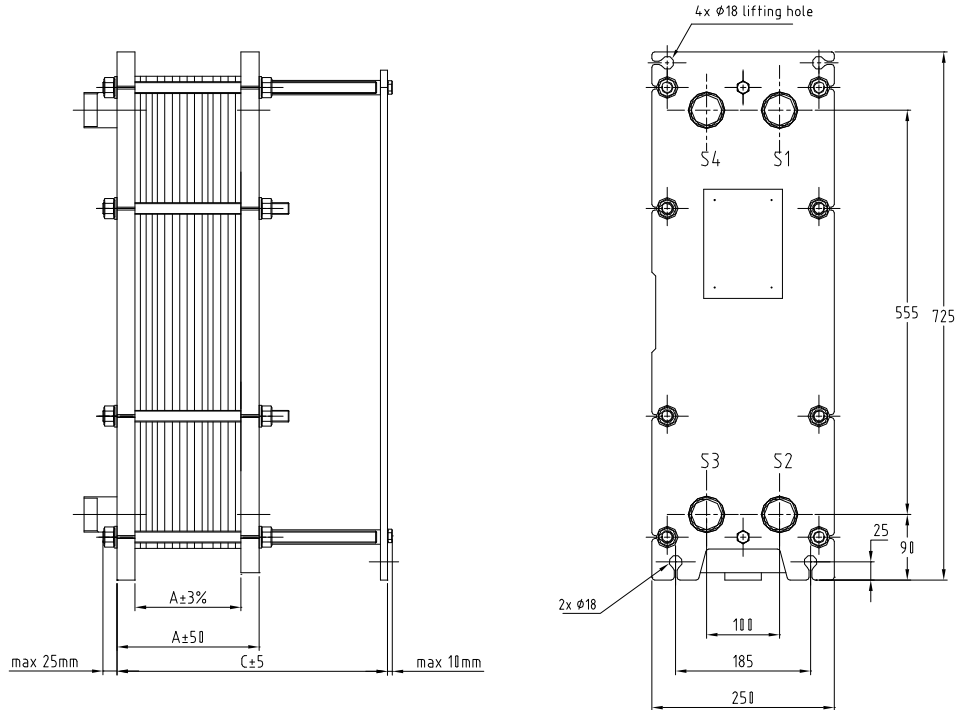




PLATE HEAT EXCHANGER
GC-009P
DIMENSIONS, MM



Available connections:

4x tube connections

The Plate Heat Exchanger has 4 connections as standard and should be installed with min. 300 mm space on both sides for service work.

Subject to alterations without prior notice.

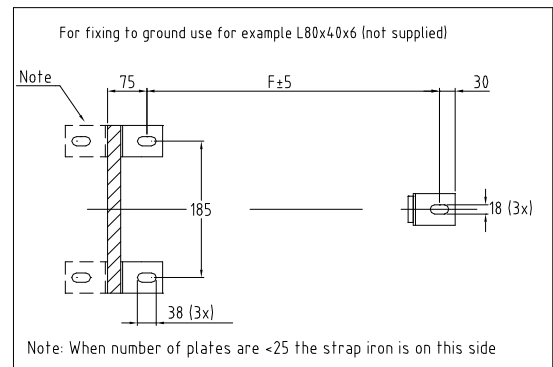
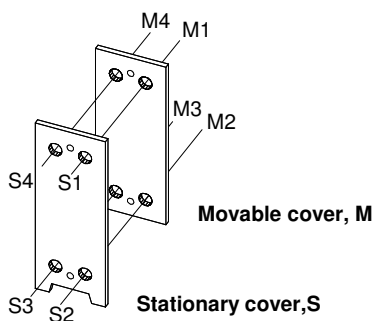
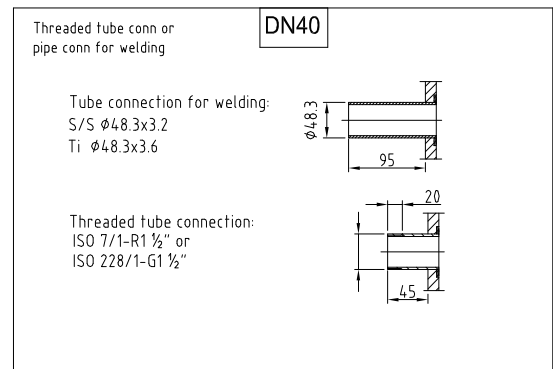




PLATE HEAT EXCHANGER
GC-009P
DIMENSIONS, MM

Standard connection dimension	DN40
Tightening bolt	M16
No. of tightening bolts (T)	8
Cover thickness	25 mm
Weight of guiding bar	0,9 kg/m
Weight of tightening bolt	2,0 kg/m
A-dimension	3,0*n mm
C-dimension	LG+35 mm
F-dimension	LG+10 mm
Weight plate+gasket (W) SS 304/316 0,5mm	0,47 kg
Weight Frame	89+n*W kg

Max No of plates	LT	LG	C	F
43	325	355	390	365
89	500	570	605 ¹⁾	580
115	750	820	855 ¹⁾	830

LT = Length of tightening bolt $4,8*n + 120$

LG = Length of guiding bar $4,8*n + 150$

n = number of plates

Total max no. of plates	
SS 304/316 0,5 mm	115 ²⁾

- 1) C > 450 mm use floor support
- 2) Guiding bar not dimensioned for more plates

All data is based on plates with material SS 304/316 and thickness 0,5 mm.