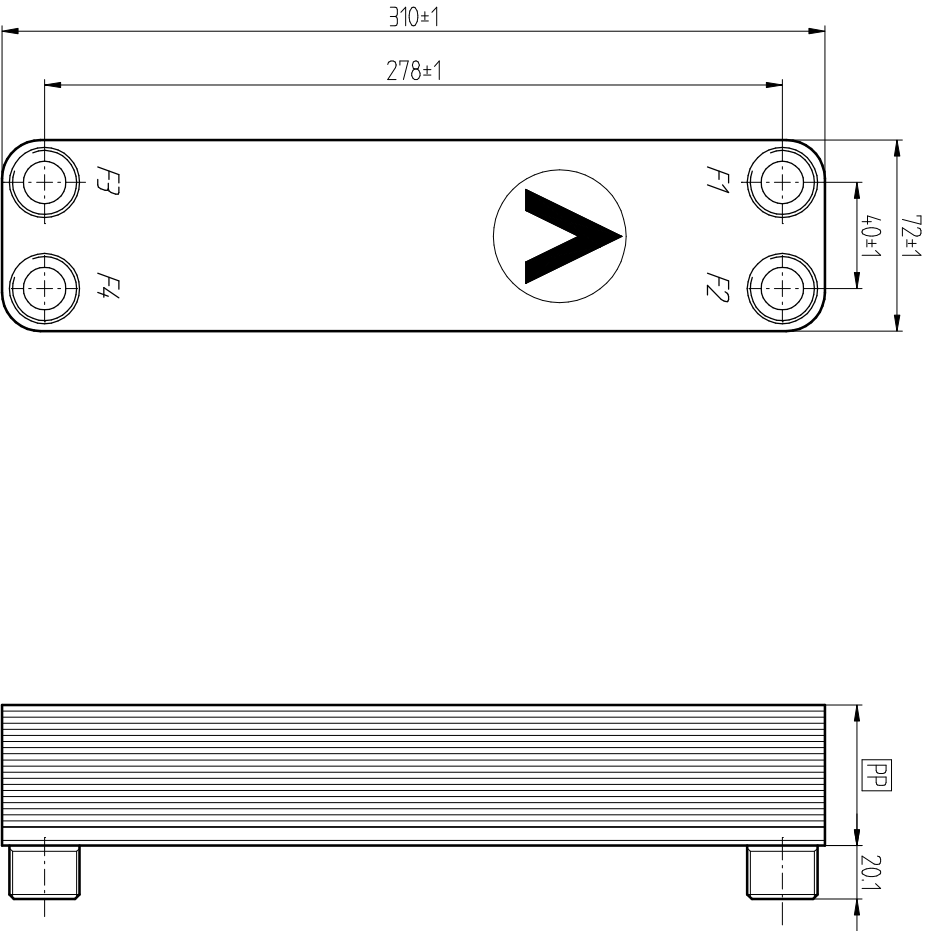


Revision No	Alteration	Date	Checked	Approved
1	ADDED MATERIAL	970626	ES	TOD
2	CHANGED PP FORMULA	980715	ES	TOD



Connections front side				Connections back side (P)			
Pos	Denomination	Drawing No	Function	Pos	Denomination	Drawing No	Function
F1	ISO-G 3/4"	DD000035	Inlet	P1			Outlet
F2	ISO-G 3/4"	DD000035		P2			
F3	ISO-G 3/4"	DD000035		P3			
F4	ISO-G 3/4"	DD000035		P4			
F5				P5			

Item	Quantity	Checked	Approved	Date	General description (drawing, ISO 266)	General surface finish Ra	Article number / reference	Scale
-02	-				FILLER MATERIAL NICKEL		10011-XXX-A	
-01	-				FILLER MATERIAL COPPER		10011-XXX	

	Item	Title / Denomination, code, material, dimension etc.	Article number / reference
	TM	B8 4x3/4"	10011-XXX-A
	Article number	Drawing number	Revision
10011	AH07-011	2	1/1