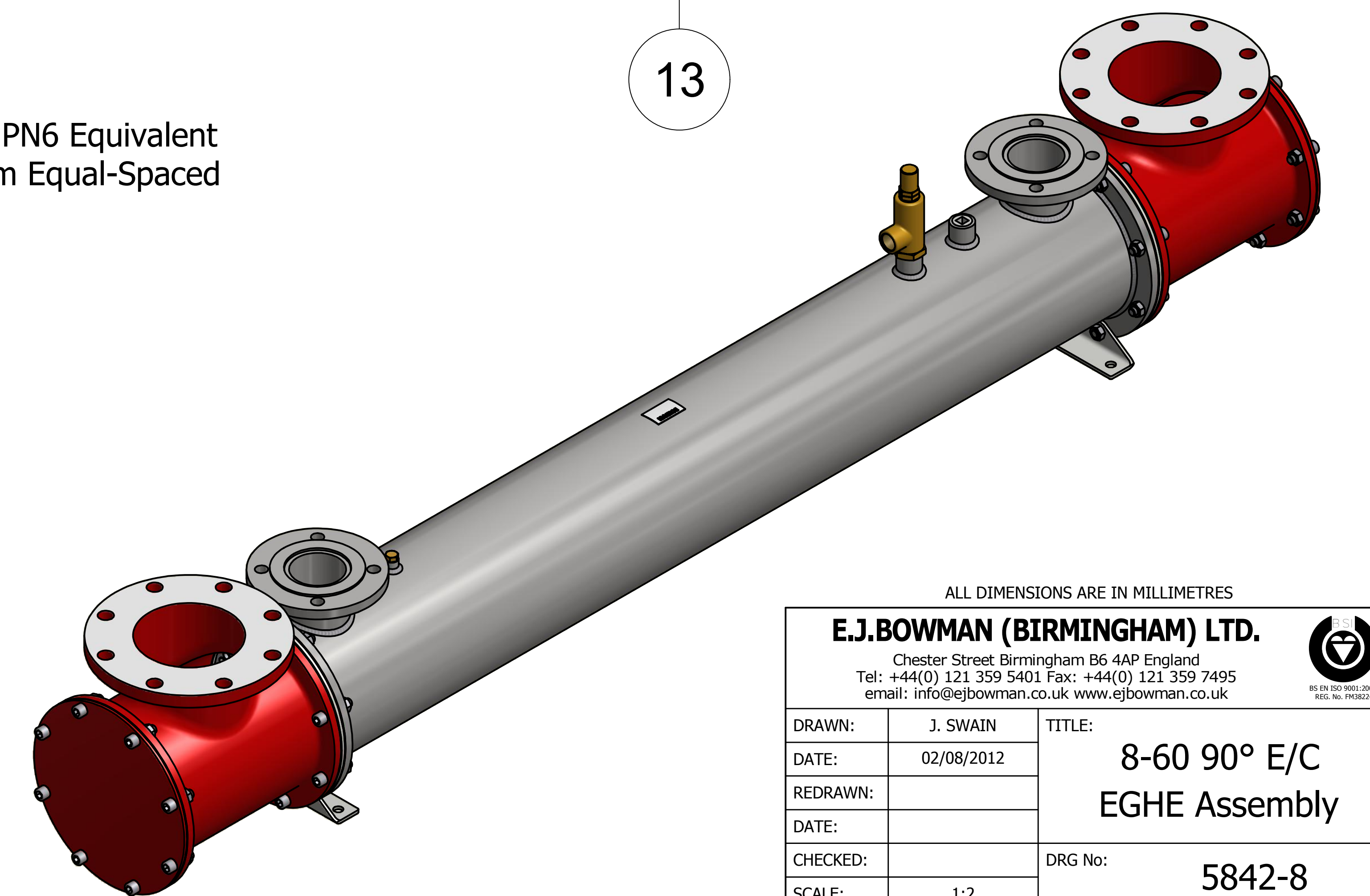


Primary Circuit Exhaust Gas Inlet/Outlet
 Secondary Circuit Inlet/Outlet

	5312	2	Gas Turn Welded Assy	14	M.S
	4989	2	6mm End Cover Spacer	13	S.S
3/4" BSP	3597	1	Plug	12	M.S
	4463	1	Nameplate	11	S.S
M12	HN12	32	Nuts	10	S.S
M12	HS12x35	16	Socket Screws	9	S.S
M12	HS12x50	16	Socket Screws	8	S.S
	4481	2	Mounting Feet	7	M.S
1/2" BSP	916	3	Plug	6	BRASS
1/4" BSP	915B	1	Plug	5	BRASS
	3795	1	Safety Valve	4	BRASS
	3792	6	Gasket	3	SP-AF/II
EX067	4984	2	90° End Cover	2	CI
3782-8TD	3782-8	1	Tubestack 8-60	1	S.S
Part No.	Drg No.	Qty	Description	Item	Material

Notes:
 Max - Working Water Pressure - 4 Bar
 Max - Working Water Temp - 110°C
 Max - Working Exhaust Gas Pressure - 0.5 Bar
 Max - Working Exhaust Gas Temperature - 700°C



ALL DIMENSIONS ARE IN MILLIMETRES

E.J.BOWMAN (BIRMINGHAM) LTD.

Chester Street Birmingham B6 4AP England
 Tel: +44(0) 121 359 5401 Fax: +44(0) 121 359 7495
 email: info@ejbowman.co.uk www.ejbowman.co.uk

DRAWN: J. SWAIN
 DATE: 02/08/2012
 REDRAWN:
 DATE:
 CHECKED:
 SCALE: 1:2

TITLE:
**8-60 90° E/C
 EGHE Assembly**
 DRG No:
5842-8